

UNEXPECTED
OFFICE CONCEPT

TAK



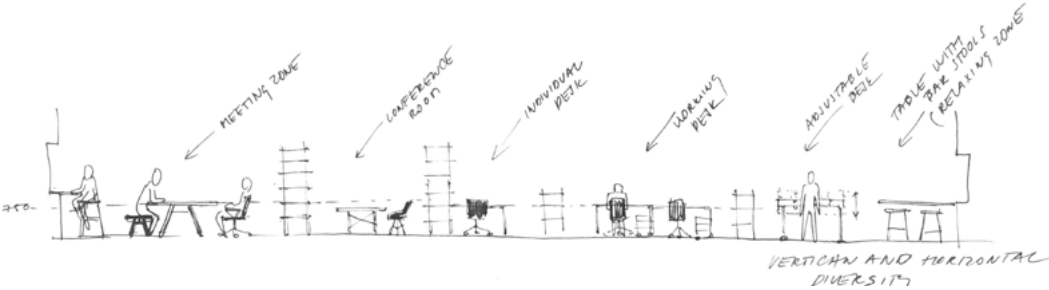
PROFIL

UNEXPECTED



OFFICE CONCEPT

TAK



PROFIL

CONCEPT



Every era places its own demands on office comfort. In today's world in which we mostly communicate online, it is necessary to keep in step with new technologies. For this collection, we therefore stepped back in time to find inspiration for the future. The TAK collection reflects this by encouraging and supporting both natural and mutual interactions within a team. The centrepiece is the conference table with benches on which people can sit next to each other to work, fraternize or take a break. It is an example of our desire to purposefully disrupt typical open plan offices by introducing new dimensions/ interventions that are focused on the human factor.

↓ **From individual comfort to collective needs**

As people, we are flexible, unique and have our own work space requirements. The TAK collection satisfies these various needs by providing an extensive and distinctive range of products, from work desks to shared workstations, and from calm zones to "bar" seating.



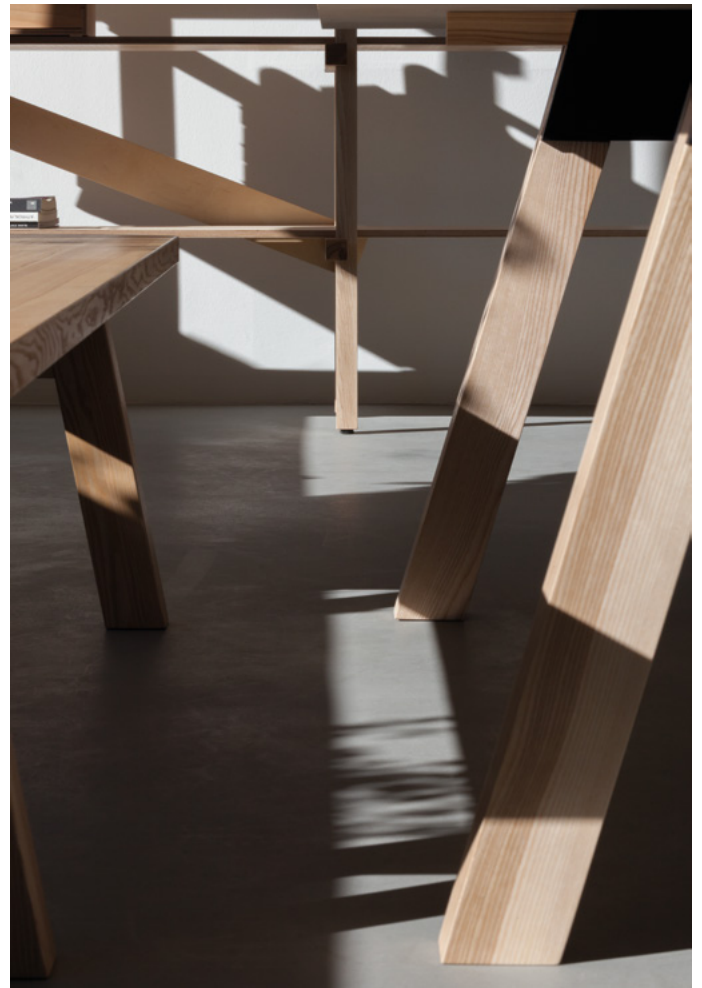


↓ Fresh & Czech

The TAK collection is local through and through, from the initial designs, to the development of prototypes and final production. We are a family-owned company that employs skilled cabinet makers who work as much as possible with locally sourced materials to reverently create each item. Our philosophy is to revert to the use of traditional natural materials to create high-quality products.

↓ Timeless

Trends come and go. We pride ourselves on the use of timeless materials and the application of tried-and-tested carpentry. For example, traditional joints on a wooden shelf cabinet are complemented by the use of proven technologies and high-quality workmanship.







Conference, working and dining table



The TAK Table is a focal point in any office and provides everyone with the perfect opportunity to meet, talk, work and relax. This piece of furniture is the answer to modern work flexibility and the need to have a work space that supports personal communication and collective collaboration. Its shape and (material) design maintains an eye for detail, whilst guaranteeing maximum functionality and structural stability.

The solid wood legs and cable duct (black MDF) form the basis of the construction. The cable duct is accessible via removable panels set into the desktop. The cable duct, which runs along the full length of the table, can be used for connecting electrical appliances, or alternatively, as a storage compartment. The table is designed and constructed so that people can sit comfortably around it (sides and ends) with sufficient leg room and depth for laptops or easy dining.

2980 × 1480 × 750

2980 × 1200 × 750

2480 × 1480 × 750

2480 × 1200 × 750

Construction

WOOD

Construction

MDF

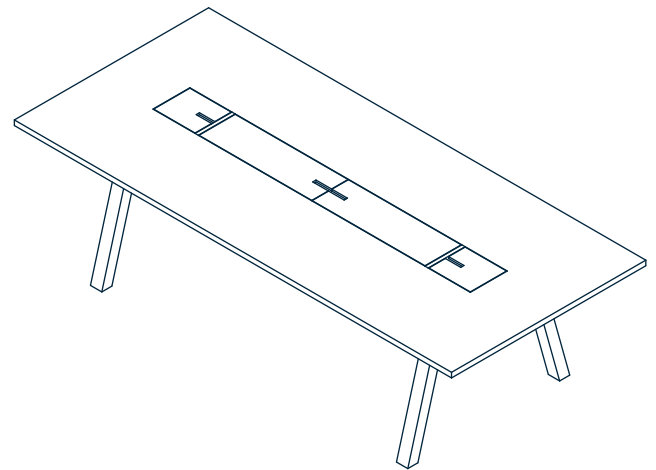
Edge

MULTIPLEX **ABS**

Worktop

FURNITURE LINOLEUM **MELAMINE**

MULTIPLEX



Bench

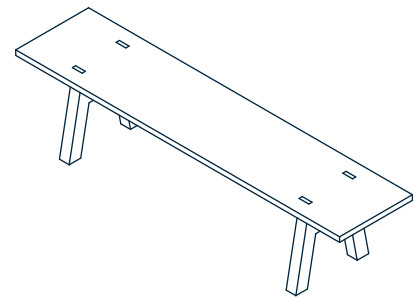




We like to think differently. That's why the TAK collection includes office benches. You can sit, lie and save space with this bench. This traditional piece of furniture tests team interactions. The question is: Who will sit in a chair and who will sit next to who on the bench?

2000 × 450 × 450

2500 × 450 × 450



Construction

WOOD

Reinforcement

MDF

Top

WOOD

Height adjustable desk



Do you spend long hours in front of your computer and can't find a comfortable sitting position? Then stand up. This height adjustable desk has built-in electric motors which enable the desktop to smoothly move up and down. You can choose from a basic desk, a desk with height adjustable legs, and with or without integrated drawers for additional storage space. The advantage of this model is that the electric motors are hidden.

Basic desk

1200 × 800 × 630 → 1200

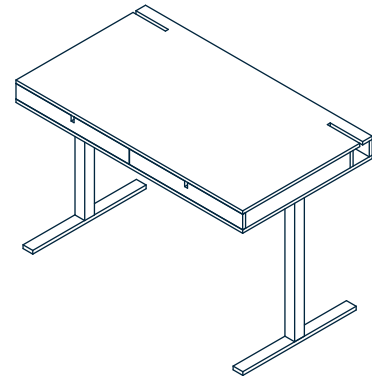
1400 × 800 × 630 → 1200

1800 × 800 × 630 → 1200

Desk with drawers

1400 × 800 × 710 → 1290

1600 × 800 × 710 → 1290



Construction

POWDER COATED STEEL

Edge

MULTIPLEX **ABS**

Worktop

FURNITURE LINOLEUM **MELAMINE**

MULTIPLEX

Work desk



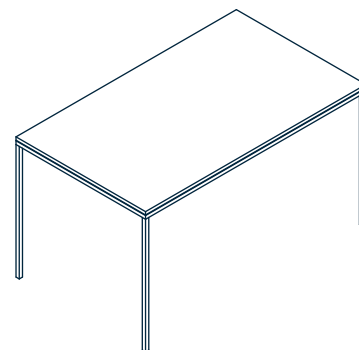
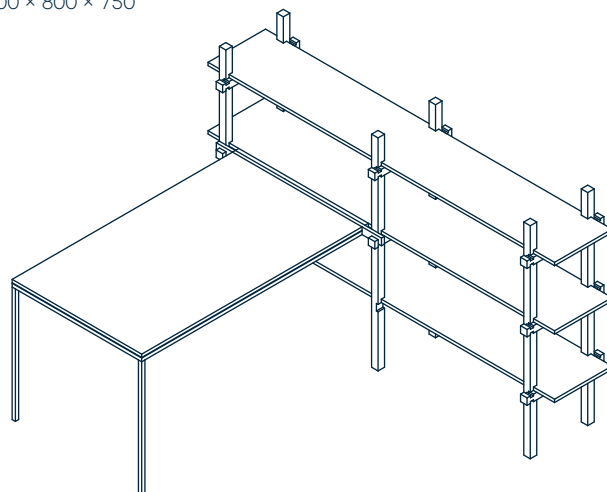
The TAK collection includes this simple, functional and elegant work desk which comes in a wide variety of materials and dimensions. It can be combined with other products. The desk can be supplemented with a grommet for electrical cables.

800 × 800 × 750

1200 × 800 × 750

1400 × 800 × 750

1600 × 800 × 750



Construction

POWDER COATED STEEL

Edge

MULTIPLEX **ABS**

Worktop

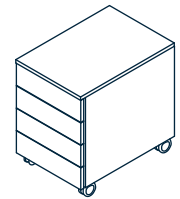
FURNITURE LINOLEUM **MELAMINE**

MULTIPLEX

Drawer unit



430 × 570 × 630



Construction

MELAMINE

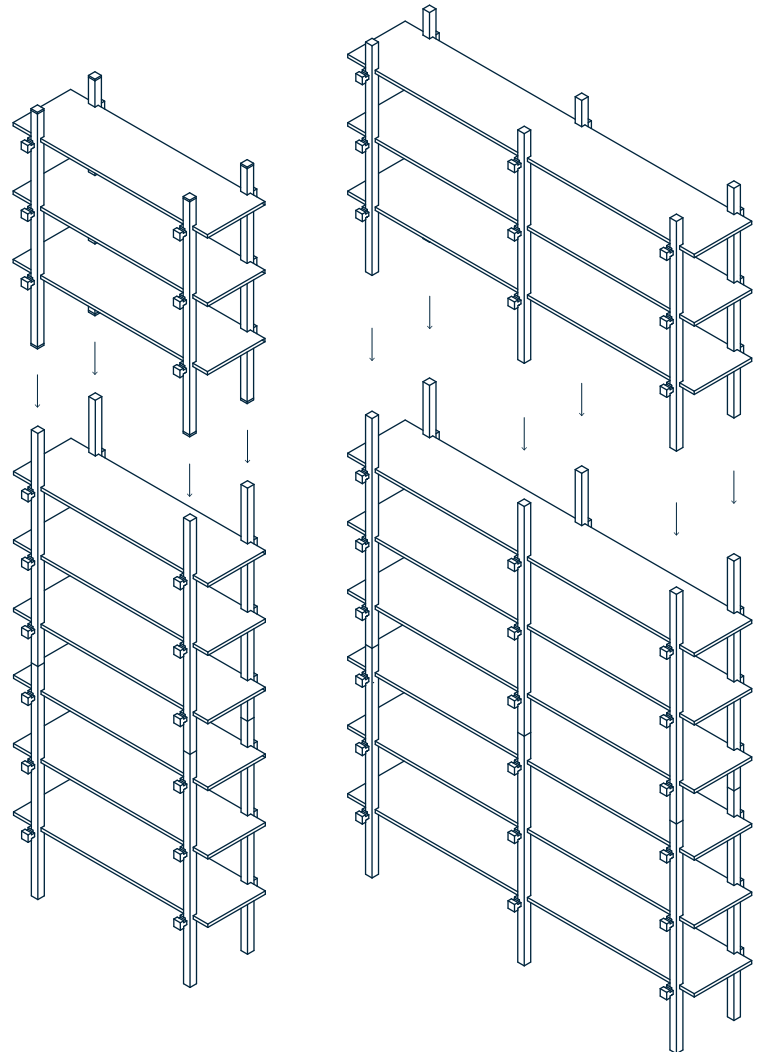
Shelving system



This shelving system divides and connects at the same time. In an open plan office, shelves can serve as storage, but also as a visual division of space. The elementary system of wooden prisms is based on side columns connected by shelves. What makes this shelving system unique is that it requires no screws and no tools. Instead, innovative carpentry has been applied to create decorative elements out of the joints. The basic module can be expanded both vertically and horizontally.

1200 × 496 × 1240

2140 × 496 × 1240



Construction

WOOD

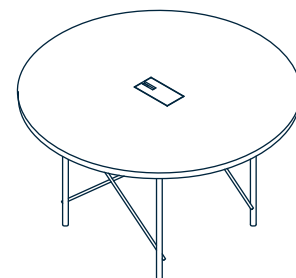
Shelves

MULTIPLEX **WOOD** **MDF**

Round meeting table

Ø 1230 × 650

Ø 1480 × 750



Construction

POWDER COATED STEEL

Edge

MULTIPLEX | ABS | MDF

Worktop

FURNITURE LINOLEUM | MELAMINE

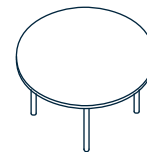
MULTIPLEX

Round conference table



Rocking stool

∅ 600 × 400



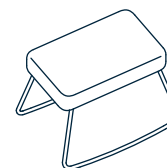
Construction

POWDER COATED STEEL

Worktop

WOOD

580 × 360 × 450



Construction

POWDER COATED STEEL

Seat

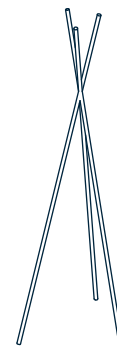
FABRIC **FELT** **LEATHER** **MDF**

Coat stand



The minimalist design of this coat stand allows the decorative elements of the concrete reinforcement wire to shine.

∅ 600 × 1700



Construction

POWDER COATED STEEL

Bar stool



Our bar stool with ergonomic seat and subtle design will win you over with its lightness, comfort and ability to look great in any space.

405 × 305 × 650

405 × 305 × 750



Construction

POWDER COATED STEEL

Worktop

MULTIPLEX

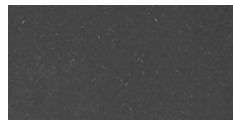
FURNITURE LINOLEUM

The TAK collection can also be combined and complemented with pieces of furniture from the Move me, Polygon and Progres collections.



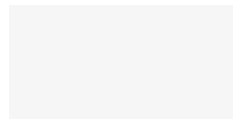
POWDER COATED STEEL

Base design - white RAL 9016, light gray RAL 7035, anthracite RAL 7024, black RAL 9005, other RAL colors for extra charge



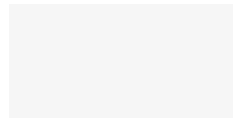
MDF

The basic design is black stained MDF, other colors for an extra charge



ABS

The economical version of the edge is highly durable - always with Melamine board



MELAMINE

Basic design white, light gray, green



MULTIPLEX

The plywood edge can be combined with furniture linoleum or veneer



WOOD

The basic design is ash solid wood, other wood at extra cost



FURNITURE LINOLEUM

Natural linoleum based linoleum, basic version Vapour 4177 or Pistachio 4183

2018

headquarters

PROFIL NÁBYTEK, a.s.

Hradská 280

396 01 Humpolec, CZ

obchod@profil-nabytek.cz

+420 777 740 450

www.profil-nabytek.cz/en

business office

Vinohradská 130

130 00 Praha 3, CZ

praha@profil-nabytek.cz

+420 777 700 456

design

Schwestern (www.schwestern.cz)

www.profil-nabytek.cz/en

PROFIL

